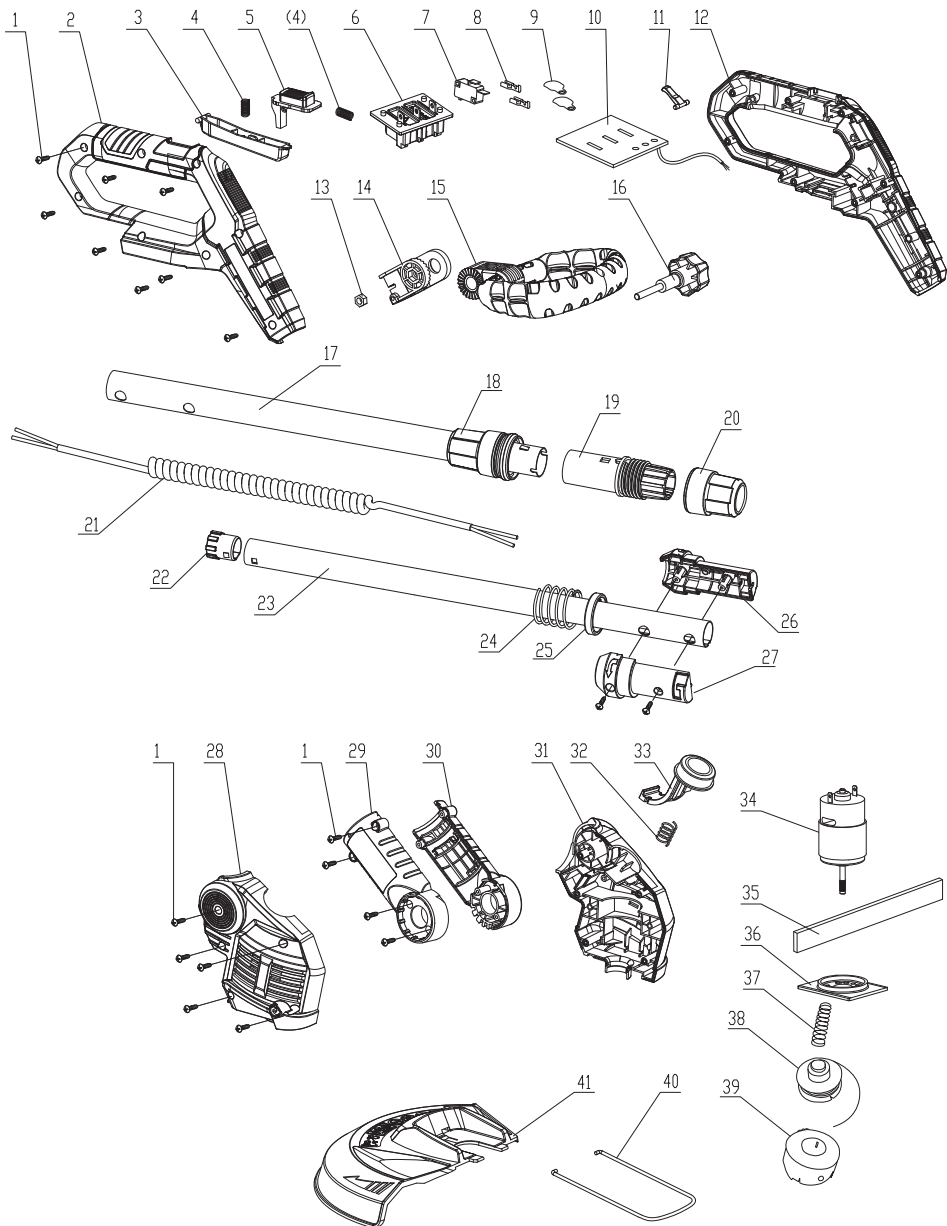


## EXPLODED VIEW & SPARE PARTS LIST OF GRASS TRIMMER RDP-SGT20



No English description	QTY	No.	English description	Model	QTY
1 cross recessed self-tapping screw	13	22	General bottom sleeve		1
2 right main handle	1	23	240 extension tube below		1
3 switch trigger	1	24	rotary spring		1
4 Switch button spring	2	25	rotary spring sheath		1
5 Spin lock button	1	26	left rotate inner shell		1
6 BMZ Double orifice insert block	1	27	right rotate inner shell		1
7 switch	1	28	Right housing		1
8 Lock terminal	2	29	right rotate outer shell		1
9 single wire sheath	2	30	left rotate outer shell		1
# PCB	1	31	Left housing		1
# switch touch tablet	1	32	Spring for edging adjustment		1
# left main handle	1	33	foot push bottom		1
# I type Hex nut M6 S=10	1	34	motor		1
# Roller bracket sets	1	35	Motor cushion		1
# second handle	1	36	motor fixing plate		1
# Knob for second handle	1				
# extension tube up	1				
# extension tube sheath up	1				
# extension tube middle	1				
# extension tube sheath below	1				
# spring wire	1				